

// **ADVANCED, ACCURATE THERMAL SCANNER WITH BREAKTHROUGH OPX TECHNOLOGY**

Only Temperature Scanner to Work in Direct Sunlight, Hot Summer, or Cold Winter Weather.

FeverWarn is the only US-made self-service temperature scanning system and is now sold with proprietary OPX scanning.

- ✓ OPX Technology uses multiple geometric spatial sensors and AI-based algorithms to extend the ambient range of infrared scanners by up to 50%—making hand-held scanners obsolete and unsafe because physical distancing can't be maintained.
- ✓ Fast, FDA compliant, accurate, self-service thermal scanning in as little as 1.5 seconds.
- ✓ New, OPX artificial intelligence software and spatial scanning geometry provide an expanded ambient range from 40° F to 105° F. (Ordinary models only certified for 70° F to 94° F).
- ✓ Self-servicing, no secondary temperature taker required.
- ✓ On-board or cloud data reporting to shield from future liability.
- ✓ Uses wrist/fist forward scanning technology, which is uncompromised by head coverings/hats, hair, or makeup.



Wrists Forward

Self-service thermal scanning and screen—Now with OPX Super-Ambient Technology

Simply place your wrist, fist, or the underside of your forearm under the scanner (1-4 inches away), and FeverWarn's OPX Series will quickly indicate a safe or unsafe temperature condition via a buzzer and screen display—all validated by thousands of installations across North America.

FeverWarn's patented self-service design allows quick and easy temperature screening without using a hand-held scanner, which puts the temperature taker in harm's way due to the inability to maintain recommended social distancing.

FeverWarn is the only infrared thermal scanning system in the world with proprietary OPX technology, which extends the range of infrared scanning normally 70°-94° F to 40°-105° F making it ideal for vestibules and areas of direct sunlight.

// FEVERWARN THERMAL TEMPERATURE SCANNER MODELS

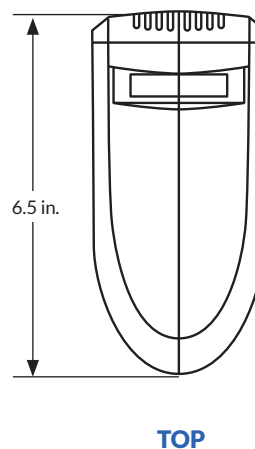
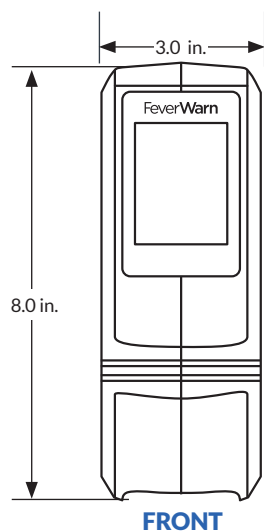
Which FeverWarn is Right For Me?



MODEL	FW-OPX-1100A3	FW-OPX-1100B3
Color screen displays temperature in range of font sizes. Flashes red or green depending on results	✓	✓
Built-in buzzer/alarm alert	✓	✓
Mobile app for iOS or Android	✓	✓
OPX proprietary sensor technology with expanded ambient range	✓	✓
Stand option	\$139	\$139
Desktop stand option	\$89	\$89
Wall-mount bracket	✓	✓
Wireless connectivity	✓	✓
Automatic product updates	✓	✓
Calibration	✓	✓
Calibration log	NO	✓
Data storage methods	1000 scans on-board Wireless downloads Private storage with master datahub option No Microsoft® Cloud	1000 scans on-board Wireless downloads Private storage with master datahub option Microsoft® Azure Cloud
Crystalball app subscription	Annually renewable, first year free	Annually renewable, first year free
Cloud storage	NO	Six months
Manage multiple FeverWarn devices via cloud	NO (only with purchase of master datahub option)	✓
Email/text alerts	NO	✓
Auxiliary USB outputs for doors, card readers, RFID and more	NO	NO
Product availability	Available from stock	Available from stock
Price	\$599	\$759

NOTE: FeverWarn, as with most infrared devices, is not sold as a medical device, but is intended as an initial screening for secondary clinical confirmation.

MODEL FW-1100 A/B	
Mechanical	
Weight	13 oz. with bracket
Dimensions height x width x depth (overall)	8.0 in. x 3.0 in. x 6.5 in. (20.3 cm x 7.6 cm x 16.5 cm)
Sensor housing material	Plastic
Enclosure rating	IP64
Mounting options	Bracket included
Electrical and Connectivity	
Power	5V, 2.4A microUSB A
Processor	240MHz, 4MB SRAM
Connectivity	2 USB; Wi-Fi 802.11 b/g/n
Security	802.11
Environmental	
Operating ambient temperature	40° - 110°F (4 - 43°C)
Storage temperature	0°F to 120°F (-18° to 49°C)
Hazardous condition	Class-1 Div-2
Data accuracy/storage/visualization	
Human body temperature range	93°F to 105°F (34°C to 41°C)
Resolution	0.25°F or 0.15°C
Accuracy	+/- 0.9°F +/- 0.5°C
Sampling rate (configurable) (/sec)	3/1000
Historical data log	Up to 1 year (Cloud storage)
Data visualization	Web app Complete cloud storage data) Mobile app (last 24 hrs.)
Indication	Go or no-go is indicated by flashing green or red screen and an audible beep.
Others	
Calibration	Auto / Manual (using mobile app) (Customer choice - once a month is recommended)
Software update	WiFi Mobile
Speaker	Buzzer alert



Floor Stands

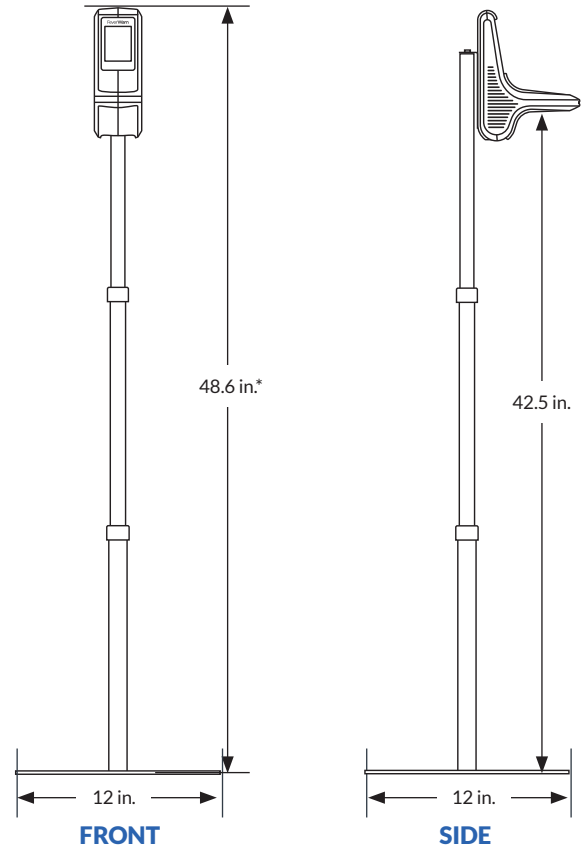
- Sturdy, yet portable design
- Cable channel for tidy cord keeping
- Easy installation



Supports Model FW-1100
A and B Self-Service Thermal
Hand Scanner

SPECIFICATIONS

MODEL FW-1100 A AND B	
Dimensions height x width x depth (overall - stand only)	46.0 in. x 12.0 in. x 12.0 in. (116.8 cm x 30.5 cm x 30.5 cm)
Scan height	42.5 in.
Overall height stand with FeverWarn mounted*	48.6 in. (123.0 cm)
Stand weight	6.0 lb.
Stand + FeverWarn weight*	6.0 lb. 13.0 oz.
Price	\$139.00



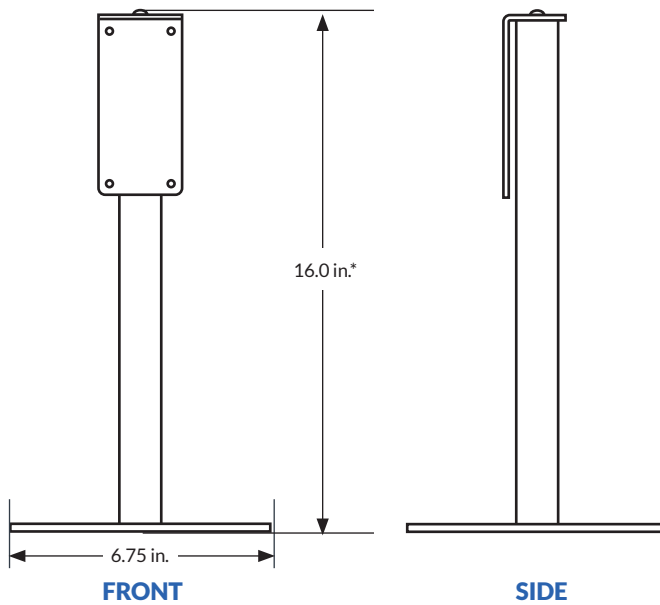
*Note: FeverWarn unit sold separately.

Desktop Stands

- Sturdy, yet portable design
- Easy installation

SPECIFICATIONS

MODEL FW-1100 A AND B	
Dimensions height x width x depth (overall - with FeverWarn mounted)	16.0 in. x 6.75 in. x 6.75 in. (40.6 cm x 17.1 cm x 17.1 cm)
Scan height	10.0 in.
Desktop stand weight	2.0 lb.
Dsktop stand + FeverWarn weight	2.0 lb. 13 oz.
Price	\$89.00



*Supports Model FW-1100 A/B
Self-Service Thermal Hand Scanner*