

// ROOM DETECTION

 **Liberty+**
by ViraWarn™

For larger spaces, such as:

- Lunch rooms
- Classrooms
- Larger conference rooms

\$999 + shipping

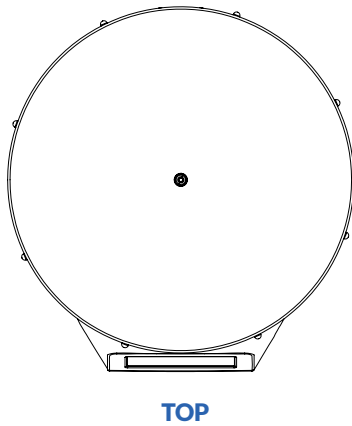
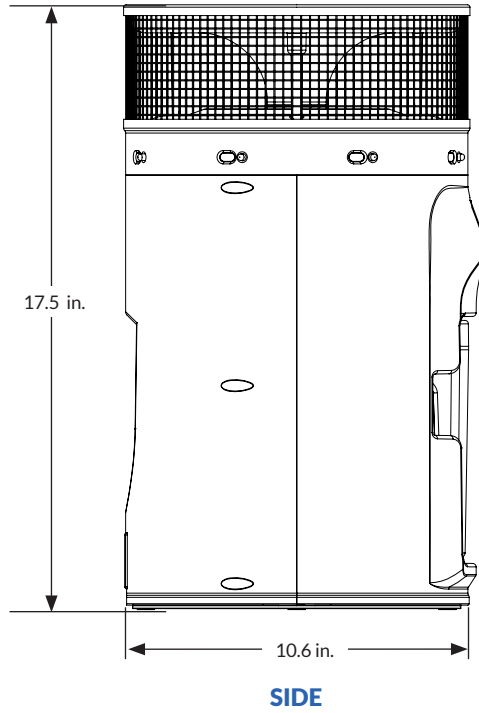
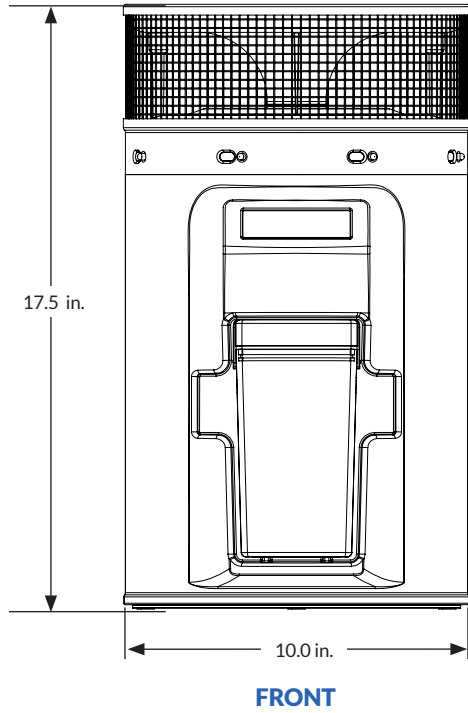
Available February.



NIH Lab accuracy verified
100% detection of COVID 19,
any variant.



SPECIFICATIONS



VIRAWARN LIBERTY PLUS	
Coverage area	50 ft ²
Weight	3.5 lb.
Noise level	30 BA – whisper quiet at 3 feet
Airflow	15 CFM
Media cartridge size*	12 oz
Power supply	120/240 VAC ("universal" AC)
Processors	Varies. One of the following major brands: Qualcomm, Microchip, ST Micro
Connectivity	Wi-Fi and Bluetooth
List of sensors included	Particulate, temperature, accelerometer, anti-counterfeit and in PU, air pressure

Note: full cartridge replacement only, no media refills